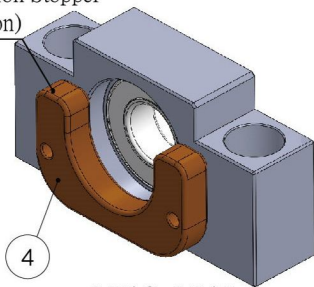


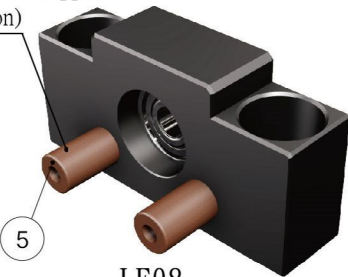
LF

Cushion Stopper
(option)

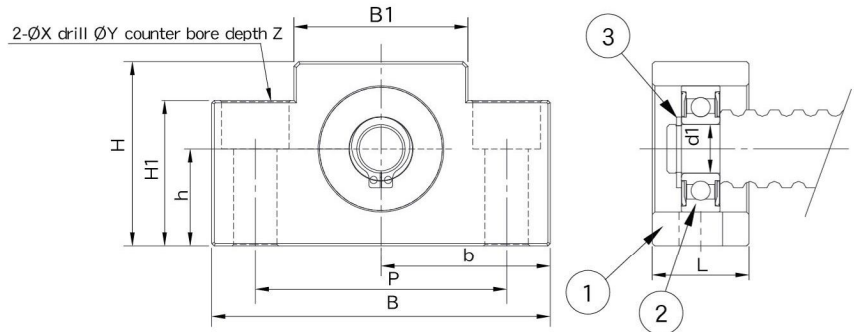


LF12~LF15

Cushion Stopper
(option)



LF08



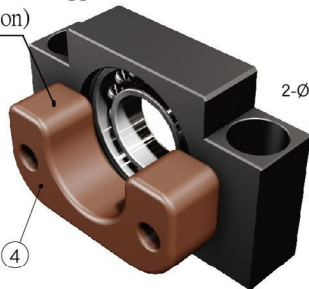
No.	Part name	Qty
1	Housing	1
2	Bearing	1 set
3	Snap ring	1
4	Cushion Stopper (option)	1
5	Cushion Stopper (option)	2

Unit : mm

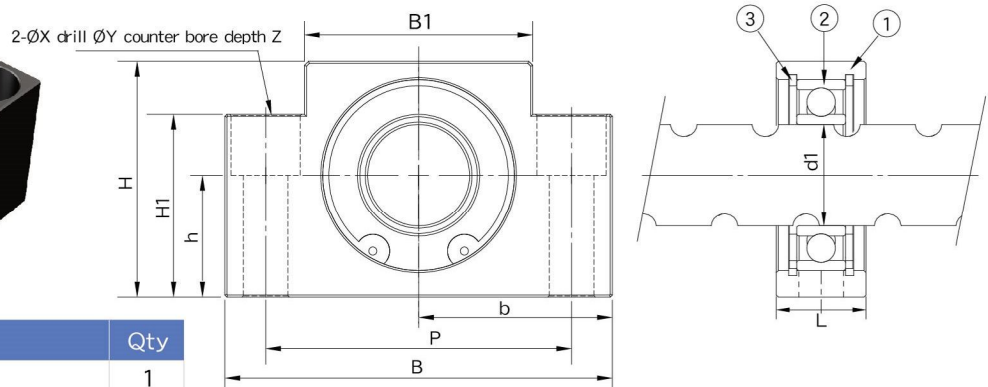
Model No.	Shaft diameter d1	L	B	H	b ±0.02	h ±0.02	B1	H1	P	X	Y	Z	Bearing	Snap ring	Weight (Kgs)
LF08	6	16	62	31	31	15.5	30	25.5	46	9	14	12.5	606ZZ	S 06	0.19
LF12	10	20	70	38	35	20	36	30	52	9	14	10	6000ZZ	S 10	0.3
LF15	15	20	80	42	40	22	41	32	60	9	14	11	6002ZZ	S 15	0.36

LFA

Cushion Stopper
(option)



LFA25



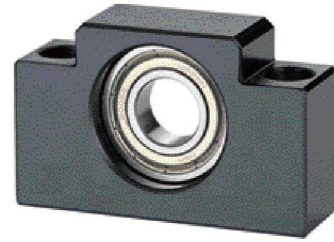
No.	Part name	Qty
1	Housing	1
2	Bearing	1 set
3	Snap ring	2
4	Cushion Stopper (option)	1

Unit : mm

Model No.	Shaft diameter d1	L	B	H	b ±0.02	h ±0.02	B1	H1	P	X	Y	Z	Bearing	Snap ring	Weight (Kgs)
LFA12	12	18	62	31	31	15.5	30	25.5	46	9	14	12.5	6801ZZ	R21	0.2
LFA15	15	18	70	38	35	20	36	30	52	9	14	10	6902ZZ	R28	0.26
LFA20	20	22	80	42	40	22	41	32	60	11	17	13	6804ZZ	R32	0.35
LFA25	25	22	95	58	47.5	30	56	45	75	11	17	15	6005ZZ	R47	0.62

Low profile Support Unit LF/LFA (Supported-side rectangular type)

Order Coding	Model No.	Surface treatment	Applicable ballscrew accuracy grade	Bearing	Delivery date
LF08_C3	LF08	Black Oxide	C3 ~ C7	606ZZ	EX-STOCK
LF08_C3N		Electroless Nickel Plating	C3 ~ C7	606VV	3 days
LF12_C3	LF12	Black Oxide	C3 ~ C7	6000ZZ	EX-STOCK
LF12_C3N		Electroless Nickel Plating	C3 ~ C7	6000VV	EX-STOCK
LF15_C3	LF15	Black Oxide	C3 ~ C7	6002ZZ	EX-STOCK
LF15_C3N		Electroless Nickel Plating	C3 ~ C7	6002VV	3 days
LFA12_C3	LFA12	Black Oxide	C3 ~ C7	6801ZZ	EX-STOCK
LFA12_C3N		Electroless Nickel Plating	C3 ~ C7	6801ZZ	3 days
LFA15_C3	LFA15	Black Oxide	C3 ~ C7	6902ZZ	EX-STOCK
LFA15_C3N		Electroless Nickel Plating	C3 ~ C7	6902ZZ	3 days
LFA20_C3	LFA20	Black Oxide	C3 ~ C7	6804ZZ	EX-STOCK
LFA20_C3N		Electroless Nickel Plating	C3 ~ C7	6804ZZ	3 days
LFA25_C3	LFA25	Black Oxide	C3 ~ C7	6005ZZ	EX-STOCK
LFA25_C3N		Electroless Nickel Plating	C3 ~ C7	6005ZZ	3 days



Black Oxide (Application : General case)



Electroless Nickel Plating
(Application : Clean room)

Note:

1.All of bearings use Japanese & Taiwanese brand bearings.