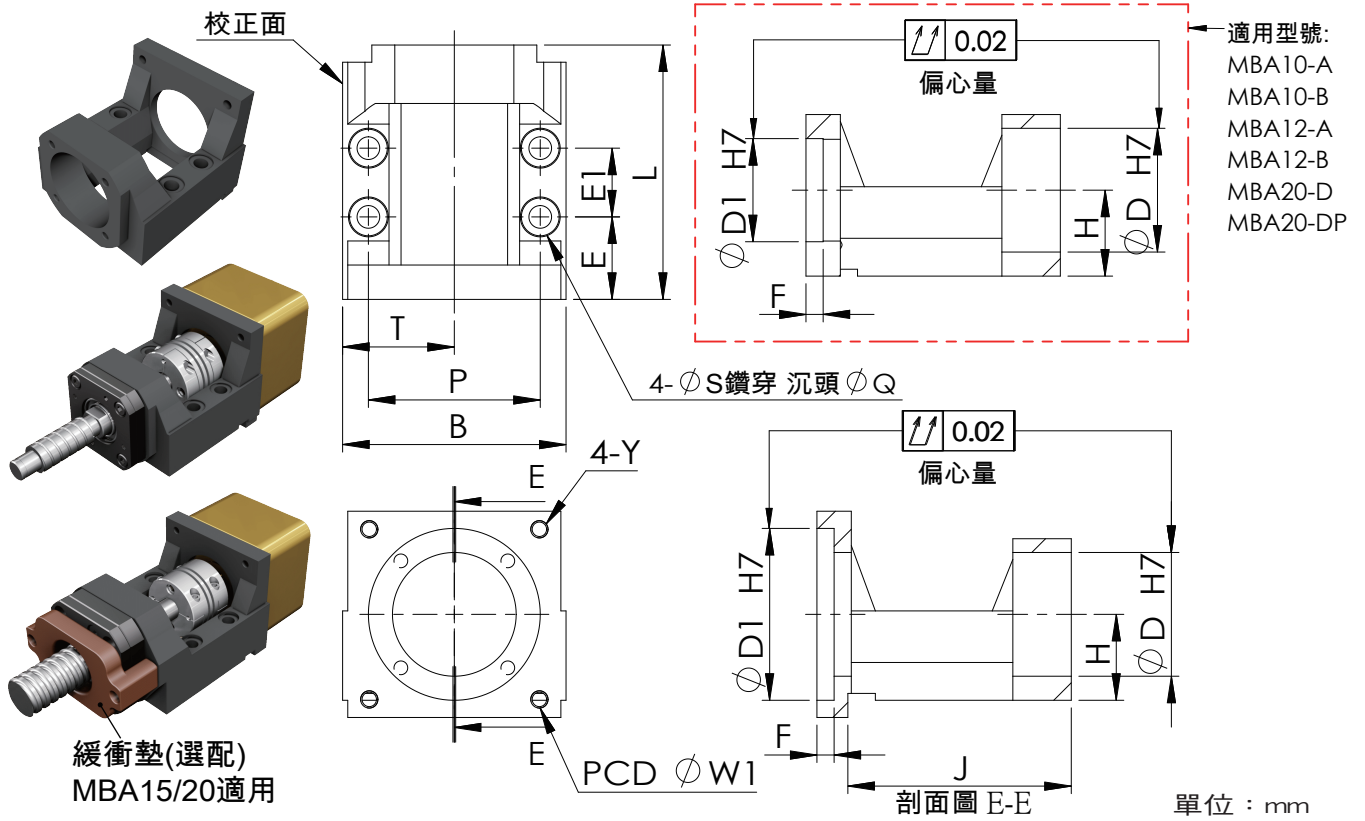


MBA(窄軌型)傳動座



型號	傳動座尺寸															支撐座		建議 聯軸器	
	D1	W1	Y	D	L	H ±0.02	B	P	T	S	Q	E	E1	F	J	重量 (Kgs)	固定端		支持端
MBA6/8-A	30	45	M3	28	61	17	52	41	26	5.5	9.5	19	20	5	54	0.29	FKA06	EF08	SGS 27C
MBA6/8-B		46	M4														FKA08		
MBA10-A	30	45	M3	34	74	22	65	50	32.5	6.6	11	24	20	5	平底	0.62	FK10	BF10	SGS 27C
MBA10-B		46	M4																
MBA10-C	38.1	66.7	M4	40	84	28	70	55	35	6.6	11	25	28	5	75	0.79	FK15	BF15	SGS 34C
MBA10-D	50	70	M5																
MBA10-DP	50	70	M4																
MBA12-A	30	45	M3	36	74	25	65	50	32.5	6.6	11	24	20	5	平底	0.67	FK12	BF12	SGS 34C
MBA12-B		46	M4																
MBA12-BF	36	70.7	M4	40	94	28	88	70	44	8.5	14	30	6	83	1.3	FK20	BF20	SGS 45C	
MBA12-C	38.1	66.7	M4																
MBA12-D	50	70	M5																
MBA12-DP	50	70	M4	40	92	28	88	70	44	8.5	14	30	6	81	1.32	FK20	BF20	SGS 34C	
MBA12-BF	36	70.7	M4																
MBA12-C	38.1	66.7	M4																
MBA15-C	38.1	66.7	M4	40	94	28	88	70	44	8.5	14	30	6	83	1.3	FK20	BF20	SGS 45C	
MBA15-D	50	70	M5																
MBA15-DP	50	70	M4	40	92	28	88	70	44	8.5	14	30	6	81	1.32	FK20	BF20	SGS 45C	
MBA15-F	73	98.4	M6																
MBA15-E	70	90	M5	57	113	34	88	70	44	8.5	14	29	42	6	102	1.6	FK20	BF20	SGS 45C
MBA15-EP																			70
MBA20-D	50	70	M5	57	113	34	88	70	44	8.5	14	29	42	6	102	1.54	FK20	BF20	SGS 45C
MBA20-DP			M4																
MBA20-F	73	98.4	M6	57	113	34	88	70	44	8.5	14	29	42	6	102	1.57	FK20	BF20	SGS 45C
MBA20-E	70	90	M5																
MBA20-EP	70	90	M5	57	113	34	88	70	44	8.5	14	29	42	6	102	1.59	FK20	BF20	SGS 45C
MBA20-X	80	100	M6																

備註: 1. 使用支撐座FKA20型號時, 可選用負荷較大之B角度軸承