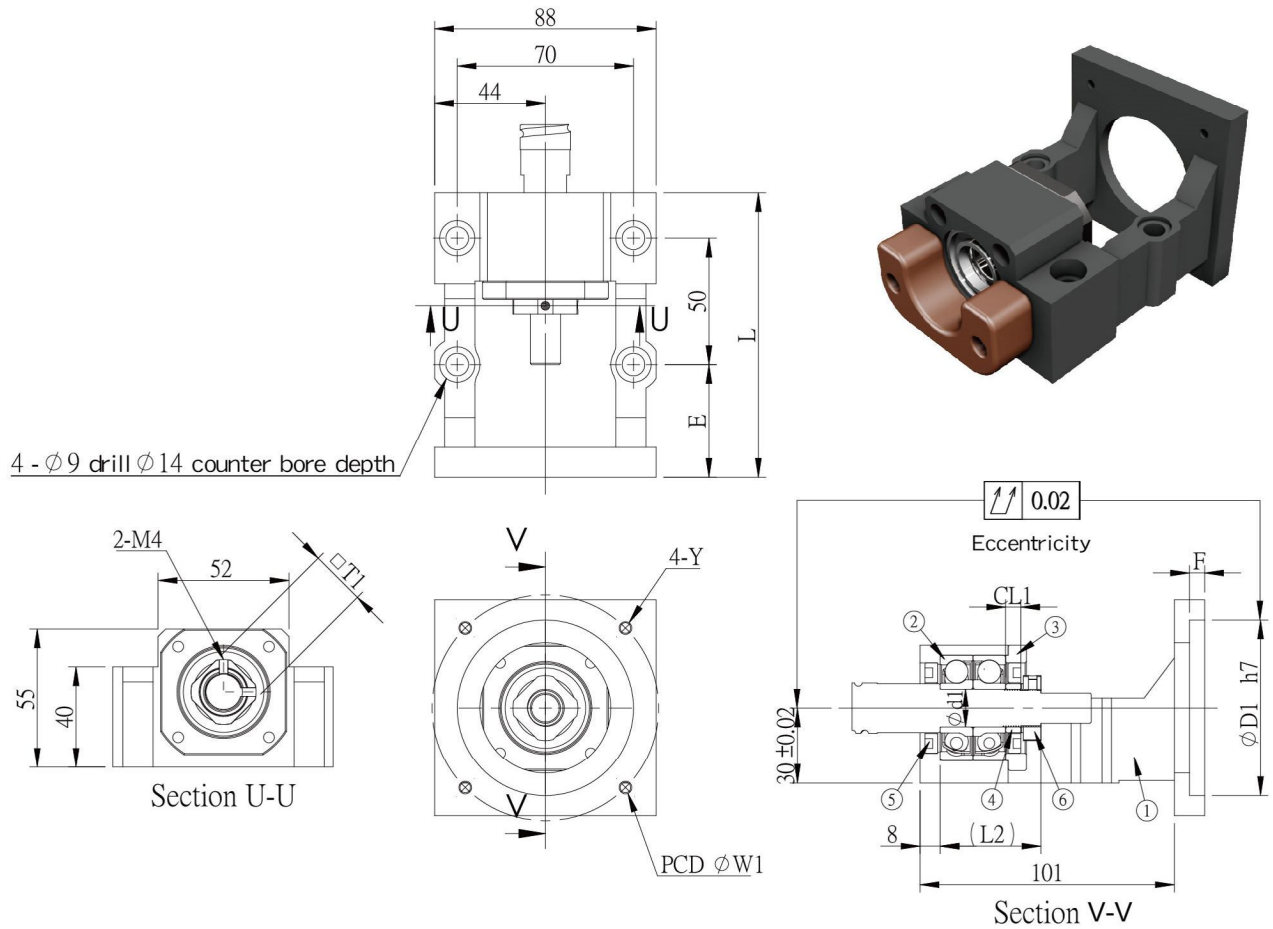
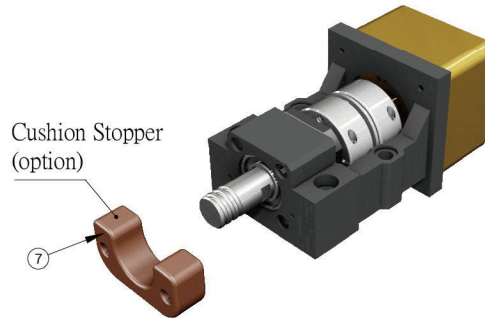


# Motor Bracket MBCA15 / 20



| No. | Part name                                   | Qty   |
|-----|---|-------|
| 1   | Housing                                     | 1     |
| 2   | Bearing<br>MBCA15 (7302A)<br>MBCA20 (7004A) | 1 set |
| 3   | Holding lid                                 | 1     |
| 4   | Collar                                      | 2     |
| 5   | Seal  | 2     |
| 6   | Lock nut                                    | 1set  |
| 7   | Cushion Stopper (option)                    | 1     |



Unit : mm

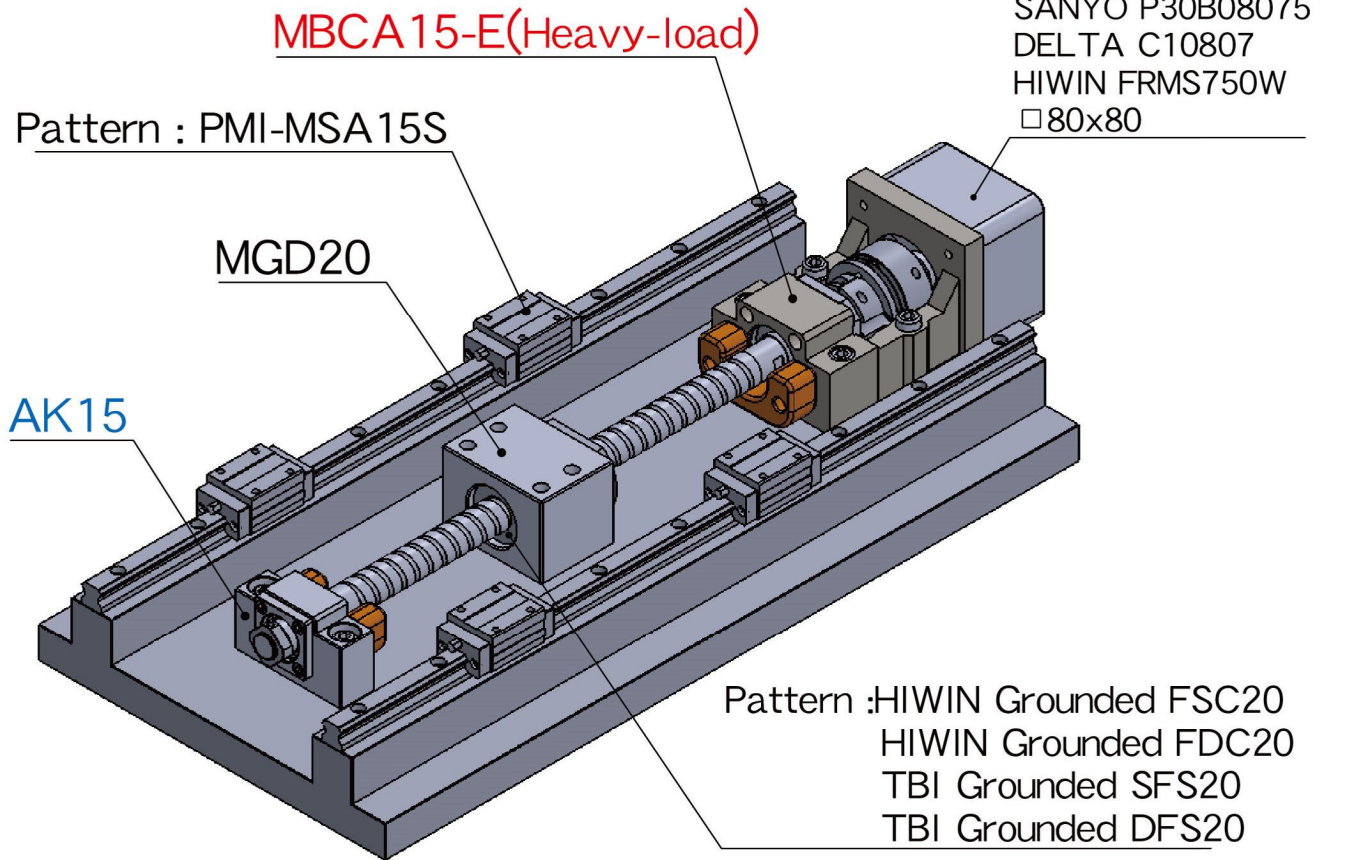
| Model No. | D1 | W1  | Y  | L   | Shaft diameter d1 | CL1 | L2 | E  | F | T1 | Weight (Kgs) | Support unit / Supported-side | Suggest Coupling |
|-----------|----|-----|----|-----|-------------------|-----|----|----|---|----|--------------|-------------------------------|------------------|
| MBCA15-E  | 70 | 90  | M6 | 115 | 15                | 6   | 40 | 47 | 8 | 22 | 1.95         | AK15/AF15                     | SGS 50C          |
| MBCA15-EP | 70 | 90  | M5 | 113 |                   |     |    | 45 | 6 |    | 1.89         |                               |                  |
| MBCA15-X  | 80 | 100 | M6 | 115 |                   |     |    | 47 | 8 |    | 1.8          |                               |                  |
| MBCA20-E  | 70 | 90  | M6 | 115 | 20                | 8   | 43 | 47 | 8 | 30 | 1.98         | AK20/AF20                     | SGS 50C          |
| MBCA20-EP | 70 | 90  | M5 | 113 |                   |     |    | 45 | 6 |    | 1.9          |                               |                  |
| MBCA20-X  | 80 | 100 | M6 | 115 |                   |     |    | 47 | 8 |    | 1.82         |                               |                  |

Note :

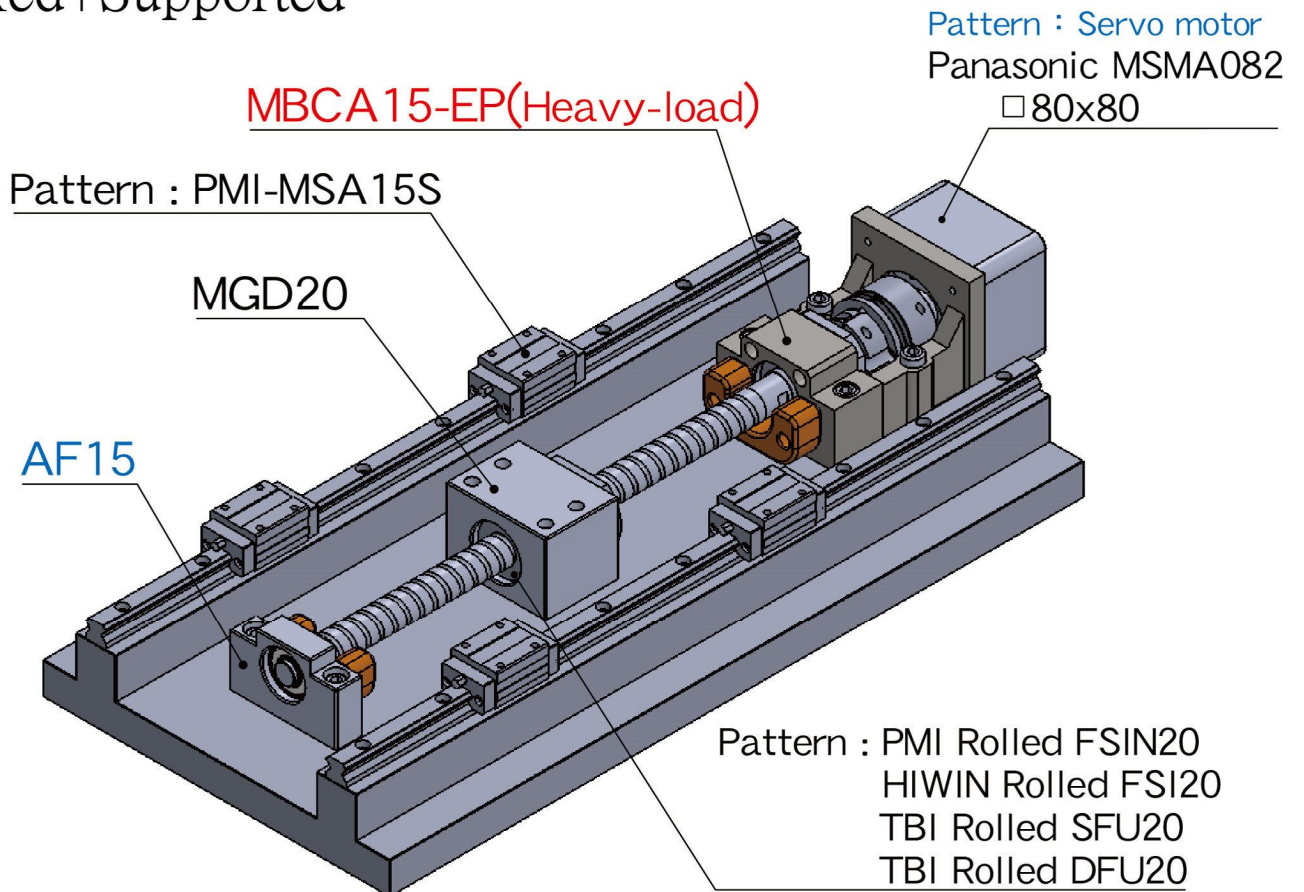
1. The matched bearing in the support unit has already done the preload.
2. The matched P5 bearings are assembled in DF way, which is the most suitable for ball screw use.

# Illustration for MBCA15

## Fixed+Fixed

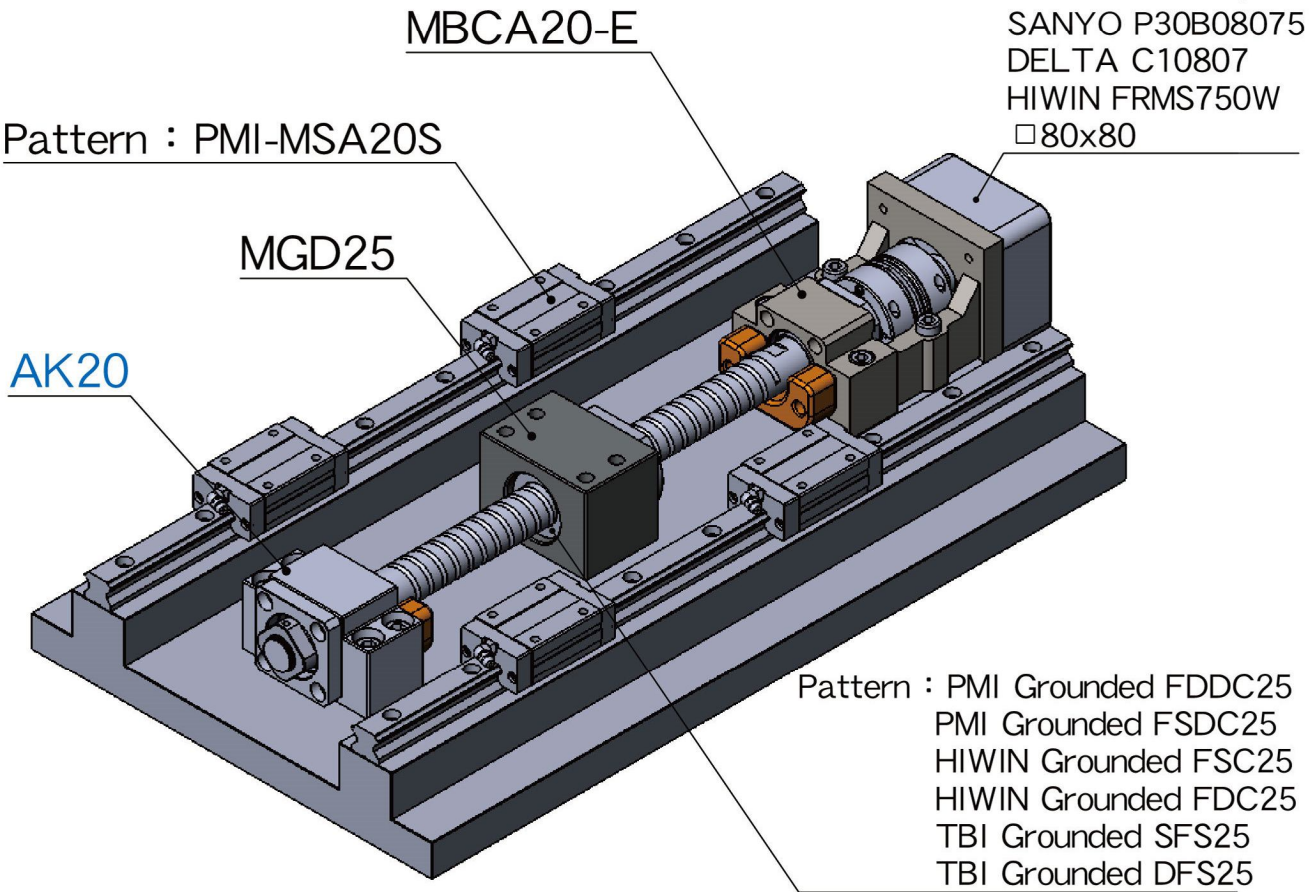


## Fixed+Supported



# Illustration for MBCA20

## Fixed+Fixed



## Fixed+Supported

