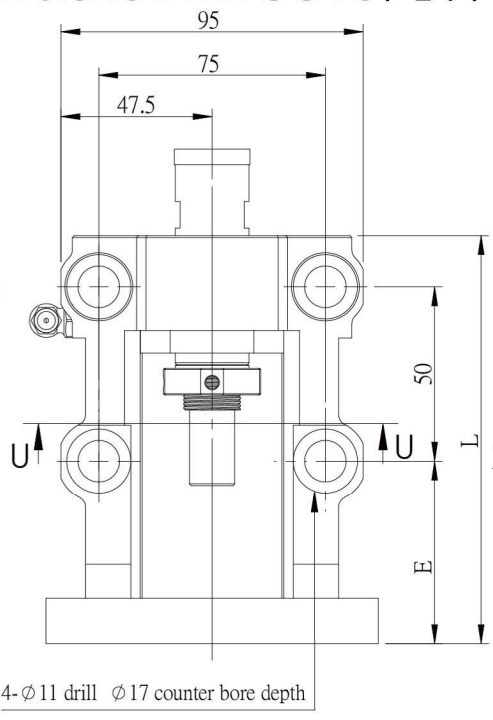
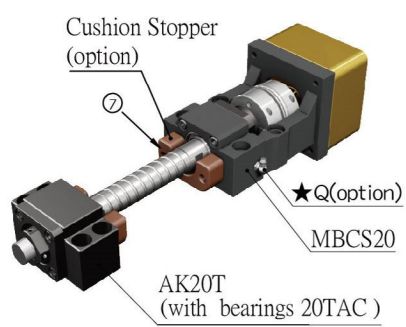
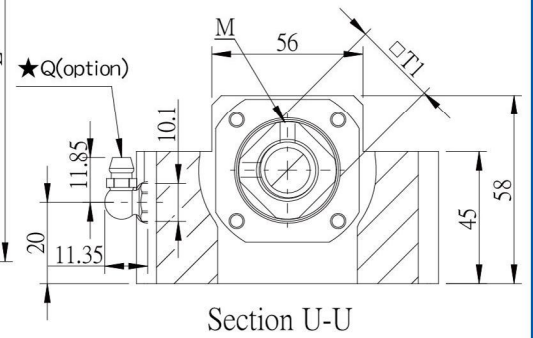
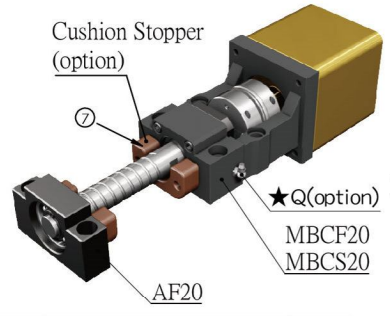


# Motor Bracket MBCS15/17/20 / MBCF20

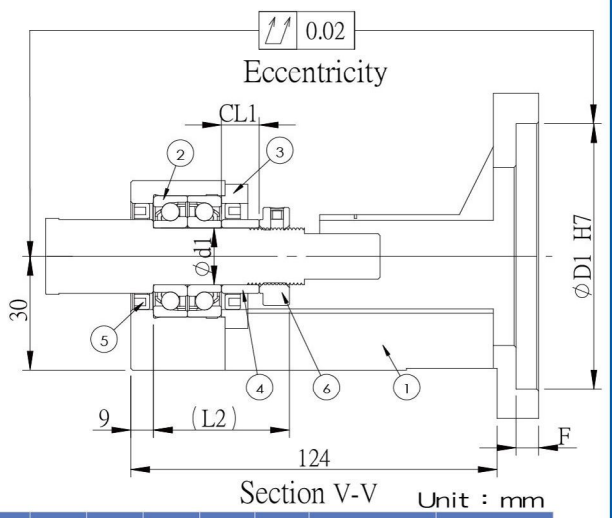
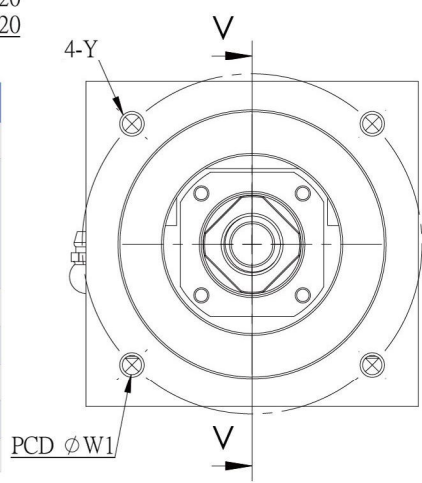
Fig→Fixed+Fixed



Fig→Fixed+Supported



No.	Part name	Qty
1	Housing	1
2	Bearing MBCS15 with bearings 15TAC MBCS17 with bearings 17TAC MBCF20 with bearings 7204 MBCS20 with bearings 20TAC	1set
3	Holding lid	1
4	Collar	2
5	Seal	2
6	Lock nut	1set
7	Cushion Stopper (option)	1

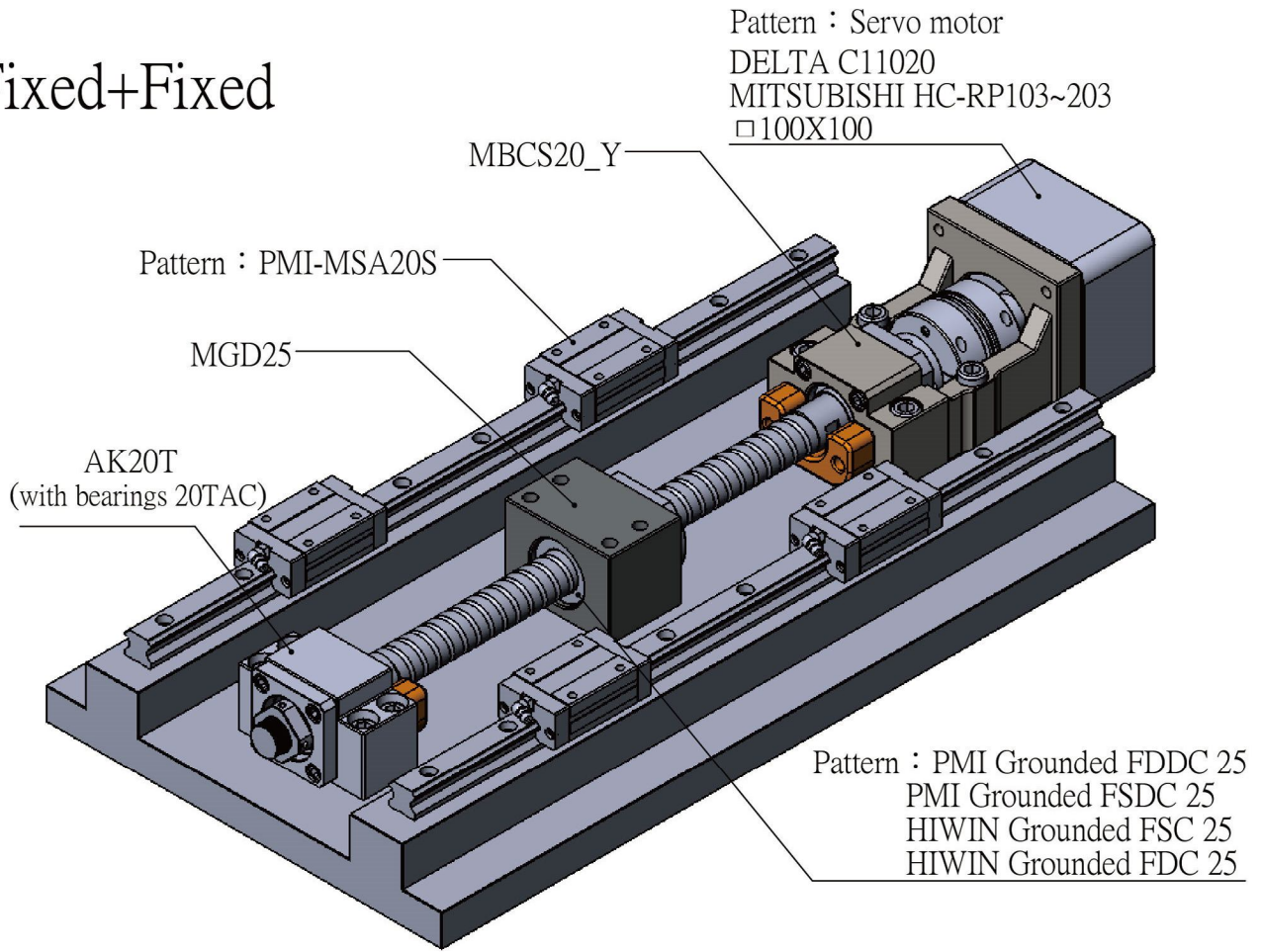


Model No.	D1	W1	Y	L	Shaft diameter d1	CL1	L2	E	F	M	T1	Q	Weight (Kgs)	Support unit Supported-side	Suggest Coupling		
MBCS15-X	80	100	M6	140	15	9	47	70	8	2-M4	□22	-	2.77	AF 15 EF 15	SGS 50C		
MBCS15-Y	95	115	M8	141				71					SGS 50C				
MBCS15-YP			M6	141				71					SGS 57C				
MBCS15-S	110	130	M8	151				81					SGS 57C				
MBCS15-G			145	153				83					10		M6	-	SGS 57C
MBCS17-X			80	100	M6	140	70	2.7	SGS 50C								
MBCS17-Y	95	115	M8	141	17	9	57	71	8	4-M6	φ 36	-	-	SGS 50C			
MBCS17-YP			M6	141				71						8	SGS 57C		
MBCS17-S	110	130	M8	151				81						SGS 57C			
MBCS17-G			145	153				83						10	M6	3.9	SGS 57C
MBCF20-X			80	100				M6						140	70	2.77	SGS 50C
MBCF20-Y	95	115	M8	141	20	11	50	71	8	2-M4	□30	-	EF 20 AF 20	SGS 50C			
MBCF20-YP			M6	141				71						8	SGS 57C		
MBCF20-S	110	130	M8	151				81						SGS 57C			
MBCF20-G			145	153				83						10	M6	3.66	SGS 57C
MBCS20-X			80	100				M6						140	70	2.8	SGS 50C
MBCS20-Y	95	115	M8	141	20	9	57	71	8	4-M6	φ 40	-	AK20T AF20 EF20	SGS 50C			
MBCS20-YP			M6	141				71						8	SGS 57C		
MBCS20-S	110	130	M8	151				81						SGS 57C			
MBCS20-G			145	153				83						10	M6	3.66	SGS 57C
MBCS20-G			145	153				83						10	M6	3.78	SGS 57C

Note : 1. The matched bearing in the support unit has already done the preload.  
 2. The matched bearings are assembled in DF way, which is the most suitable for ball screw use.  
 3. The accuracy of TAC bearing is P4 grade and 7204 is P5 grade.  
 4. The standard type is without Q, if required, please advise in advance.

# Illustration for MBC\_20

## Fixed+Fixed



## Fixed+Supported

