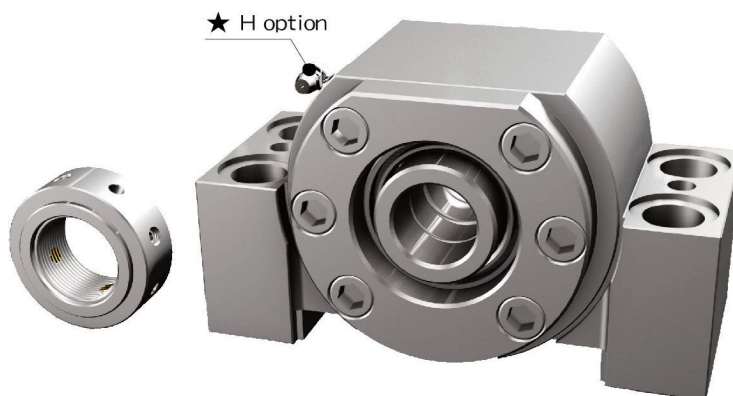
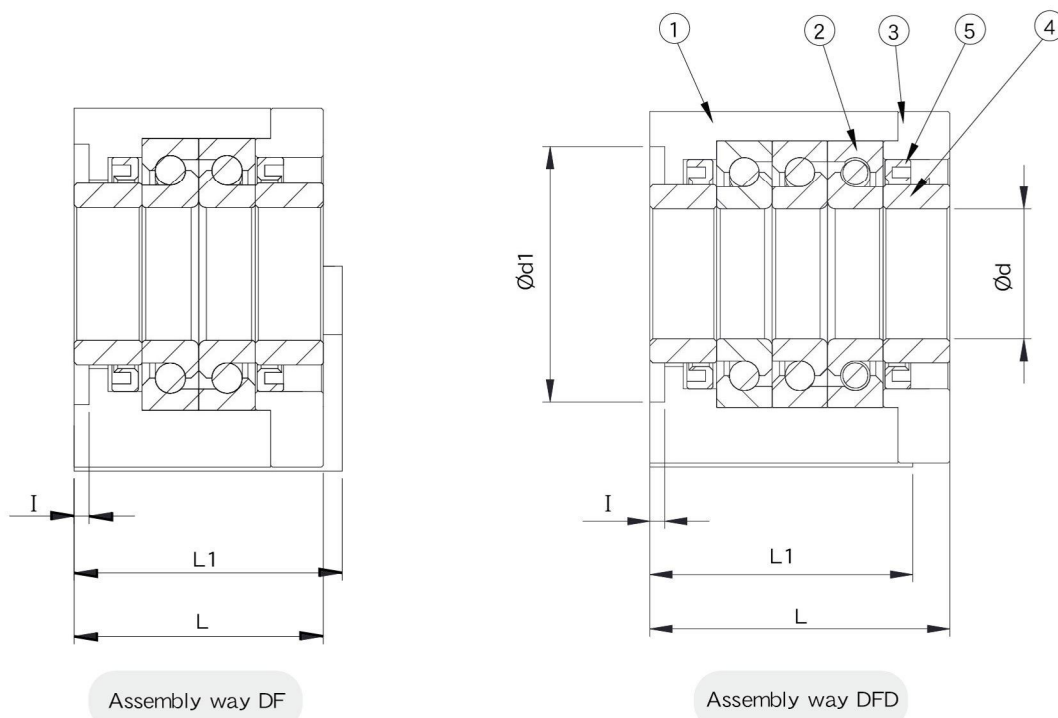


SBK type support Unit
(heavy-load)

No.	Part name	Qty
1	Housing	1
2	Bearing	1 set
3	Holding lid	1
4	Collar	2
5	Seal	2
6	Lock nut	1 set



SBK

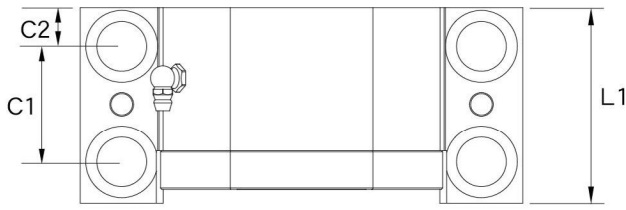


Unit : mm

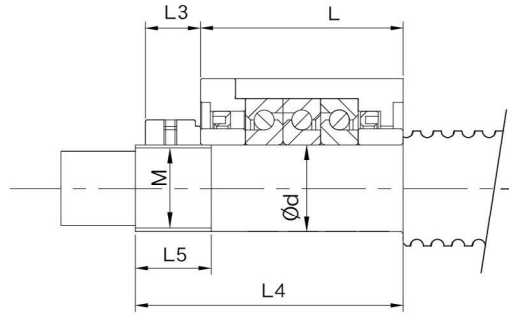
Model No.	Dimensions of support unit																			Supported side	
	d	A	$h_{\pm 0.02}$	H1	L	L1	L3	B	d1	E	C2	C1	X	Y	Z	I	V	P	Q		H
SBK 25DF	25	89	51	53	66	71	18	160	57	130	15.5	40	18	26	2	4	70	M6	10	M6	SF25
SBK 25DFD					81																
SBK 30DF	30	89	51	53	66	71	18	160	57	130	15.5	40	18	26	2	4	70	M6	10	M6	BF30
SBK 30DFD					81																
SBK 35DF	35	96	52	54	66	71	18	160	69	130	15.5	40	18	26	2	4	80	M6	10	M6	BF35
SBK 35DFD					81																
SBK 40DF	40	96	52	54	66	71	18	160	69	130	15.5	40	18	26	2	4	80	M6	10	M6	SF40
SBK 40DFD					81																

Note :

1. Inside bearings use Japanese & Taiwanese P4 grade TAC 60 degree contact ball bearing.
2. The standard type is without H , if required, please advise in advance.



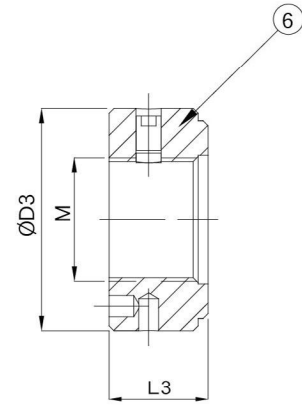
DF



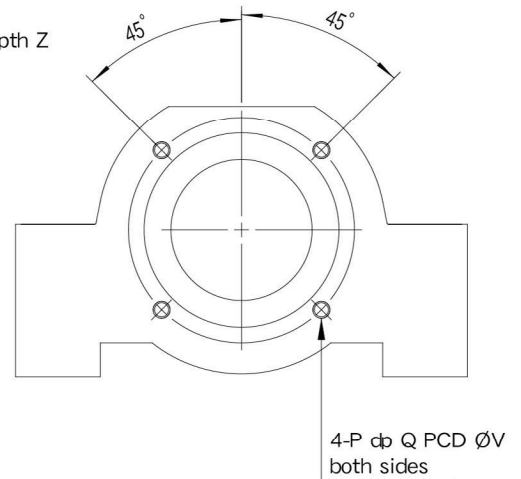
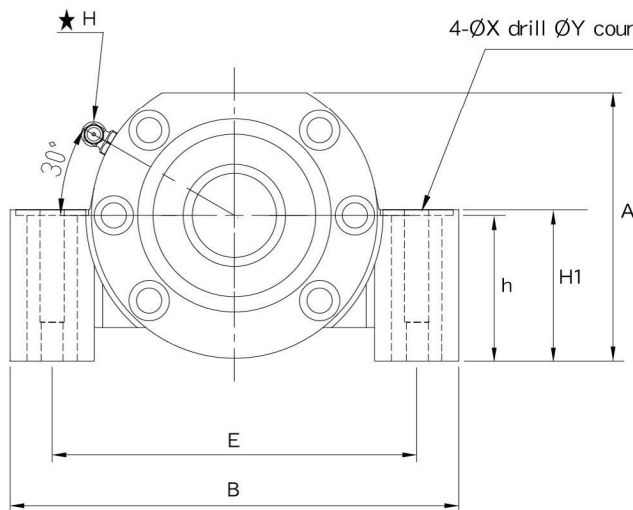
Dimensions of shaft end



DFD



Lock nut



Unit : mm

Model No.	Basic dynamic load rating C_a (N)	limiting axial load (N)	preload (N)	axial rigidity ($N/\mu m$)	starting torque ($N \cdot cm$)	permissible rotational speed (min^{-1})	Lock nut			Weight (Kgs)	Dimensions of shaft end		
							M	D3	L3		d	L4	L5
SBK 25DF	29900	40500	2280	850	28	5200	M25X1.5	45	20	4.47	25 ^{-0.005} _{-0.020}	89	26
SBK 25DFD	48500	81500	3100	1250	39					5.22		104	
SBK 30DF	30500	43000	2400	890	29	4900	M30X1.5	50	20	4.44	30 ^{-0.005} _{-0.020}	89	26
SBK 30DFD	50000	86000	3260	1310	39					5.11		104	
SBK 35DF	32500	50000	2750	1030	33	4100	M35X1.5	55	22	4.58	35 ^{-0.006} _{-0.025}	92	30
SBK 35DFD	53000	100000	3740	1500	41					5.33		107	
SBK 40DF	33500	52000	2860	1080	34	4100	M40X1.5	60	22	4.51	40 ^{-0.006} _{-0.025}	92	30
SBK 40DFD	54000	104000	3900	1590	43					5.18		107	