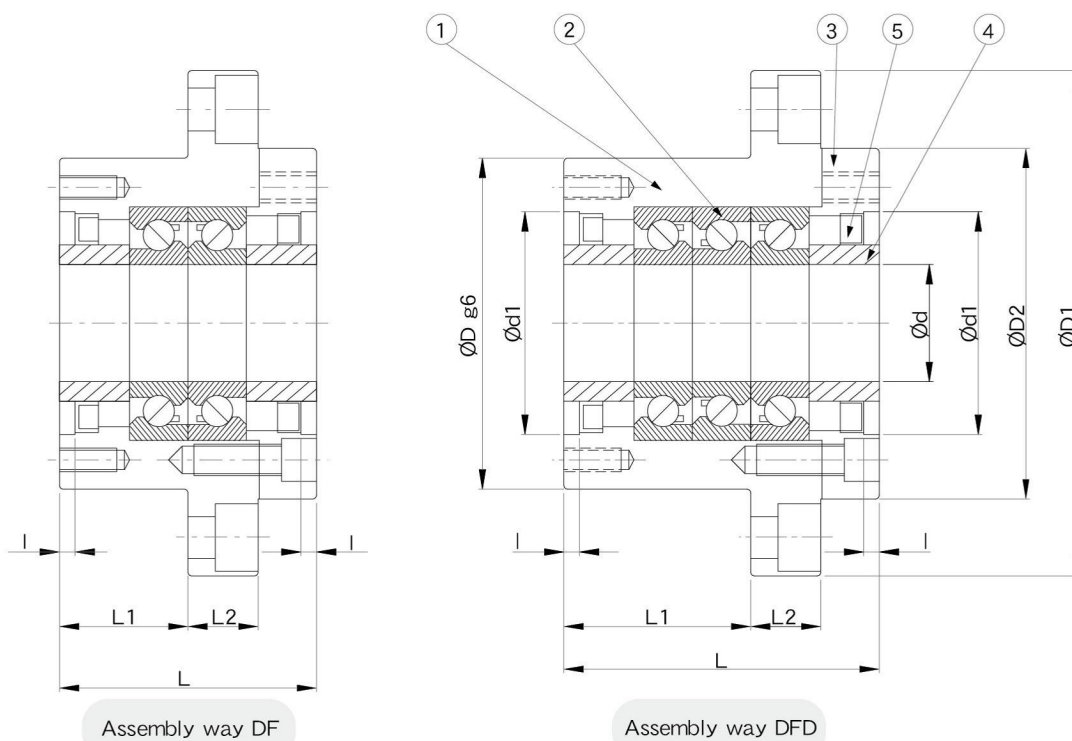


WBK type support Unit
(heavy-load)



No.	Part name	Qty
1	Housing	1
2	Bearing	1 set
3	Holding lid	1
4	Collar	2
5	Seal	2
6	Lock nut	1 set

WBK

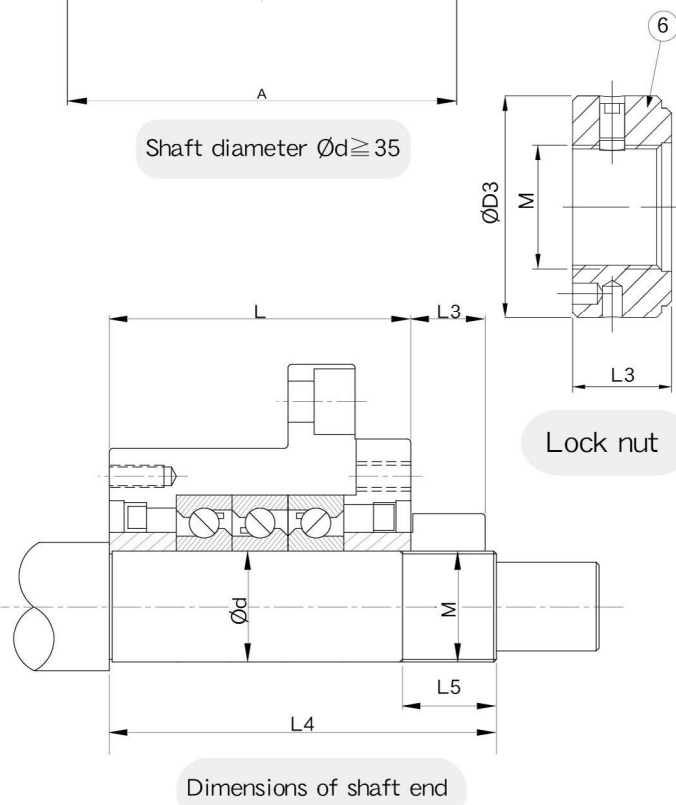
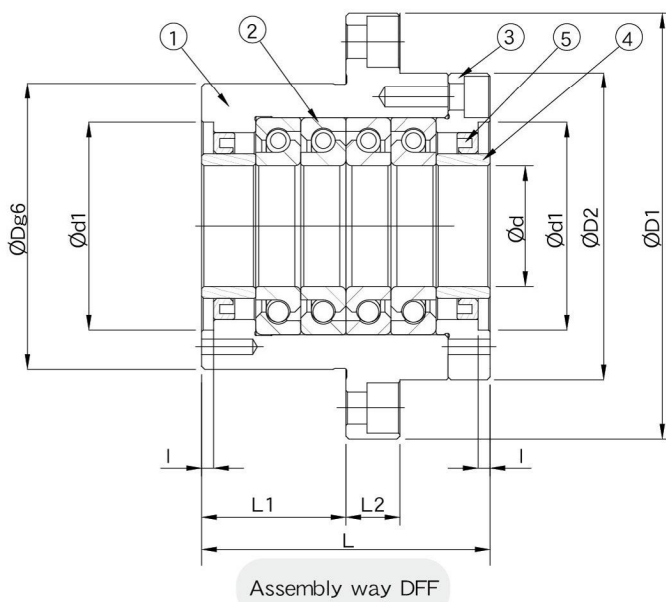
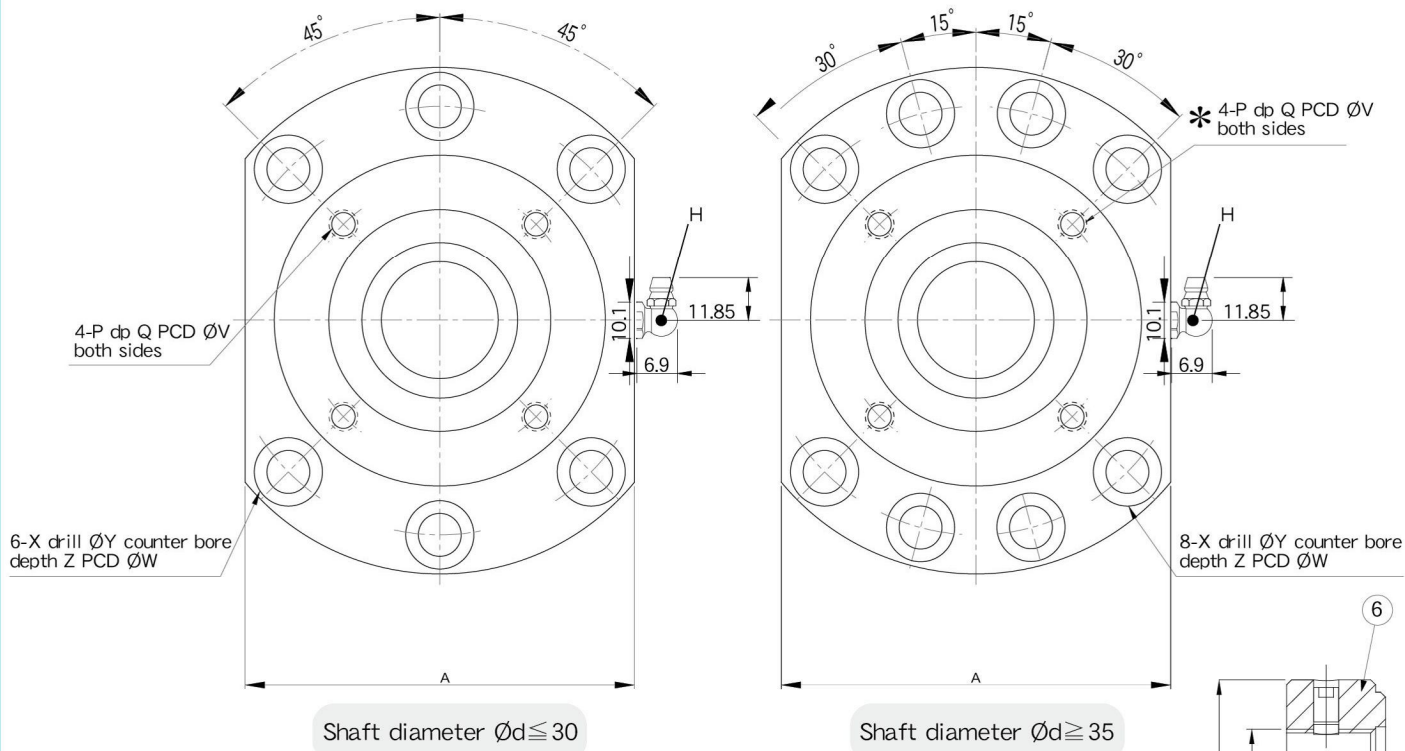


Unit : mm

Model No.	Dimensions of support unit																	
	d	D	D1	D2	L	L1	L2	A	W	X	Y	Z	d1	I	V	P	Q	H
WBK 17DF	17	70	106	72	60	32	15	80	88	9	14	8.5	45	3	58	M5	10	M6
WBK 20DF	20	70	106	72	60	32	15	80	88	9	14	8.5	45	3	58	M5	10	M6
WBK 25DF	25	85	130	90	66	33	18	100	110	11	17	11	57	4	70	M6	12	M6
WBK 25DFD					81	48												
WBK 25DFF					96	48												
WBK 30DF	30	85	130	90	66	33	18	100	110	11	17	11	57	4	70	M6	12	M6
WBK 30DFD					81	48												
WBK 30DFF					96	48												
WBK 35DF	35	95	142	102	66	33	18	106	121	11	17	11	69	4	80	M6	12	M6
WBK 35DFD					81	48												
WBK 35DFF					96	48												
WBK 40DF	40	95	142	102	66	33	18	106	121	11	17	11	69	4	80	M6	12	M6
WBK 40DFD					81	48												
WBK 40DFF					96	48												

Note :

1. Inside bearings use Japanese & Taiwanese P4 grade TAC 60 degree contact ball bearing.
2. The standard type is without H, if required, please advise in advance.



Unit : mm

Model No.	Basic dynamic load rating Ca (N)	limiting axial load (N)	preload (N)	axial rigidity (N/μm)	starting torque (N·cm)	permissible rotational speed (min ⁻¹)	Lock nut			Weight (Kgs)	Dimensions of shaft end			
							M	D3	L3		d	L4	L5	
WBK 17DF	23000	26600	1450	630	19	6900	M17X1	36	18	1.99	17 ^{-0.004} _{-0.017}	81	23	
WBK 20DF	23000	26600	1450	630	19	6900	M20X1	40	18	1.96	20 ^{-0.005} _{-0.020}	81	23	
WBK 25DF	29900	40500	2280	850	28	5200	M25X1.5	45	20	3.28	25 ^{-0.005} _{-0.020}	89	104	26
WBK 25DFD	48500	81500	3100	1250	39					3.81		119		
WBK 25DFF	48500	81500	4500	1680	49	4900	M30X1.5	50	20	3.71	30 ^{-0.005} _{-0.020}	119	104	26
WBK 30DF	30500	43000	2400	890	29					3.18		89		
WBK 30DFD	50000	86000	3260	1310	39	4100	M35X1.5	55	22	3.7	35 ^{-0.005} _{-0.025}	104	107	30
WBK 30DFF	50000	86000	4750	1760	51					4.32		119		
WBK 35DF	32500	50000	2750	1030	33	4100	M40X1.5	60	22	3.79	40 ^{-0.006} _{-0.025}	92	107	30
WBK 35DFD	53000	100000	3740	1500	41					4.44		122		
WBK 35DFF	53000	100000	5490	2060	52	4100	M40X1.5	60	22	5.21	40 ^{-0.006} _{-0.025}	122	107	30
WBK 40DF	33500	52000	2860	1080	34					3.68		92		
WBK 40DFD	54000	104000	3900	1590	43	4100	M40X1.5	60	22	4.29	40 ^{-0.006} _{-0.025}	107	107	30
WBK 40DFF	54000	104000	5730	2150	55					5.03		122		

Note :
 3. Dimensions with mark can be used for dust cover and damper installation.
 About Its correct position, please contact SYK.